

Datasheet

→ FRVKLOOP

05/06/2026



Technical data

Illuminated emergency stop for PCB mounting

Type	FRVKLOOP
Series	SHORTRON®
Rubric	Emergency-stop
Approvals	CCC, CE, cURus, TÜV_Süd, UKCA



→ General data

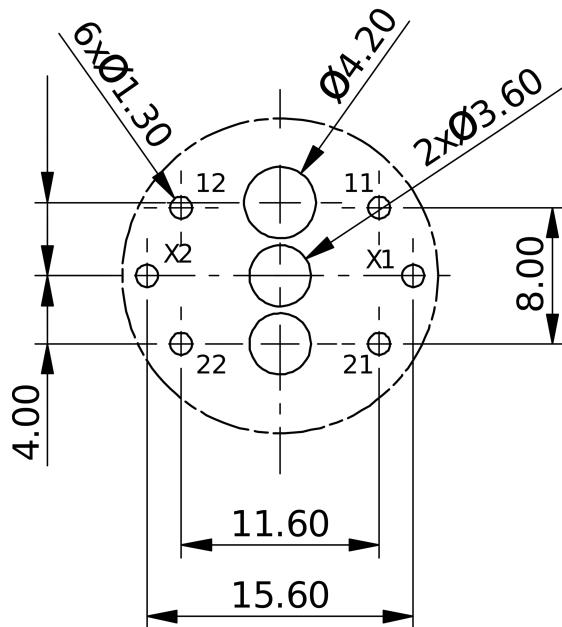
Design	Round
Illumination	Yes
Operating temperature	-25 °C ... 70 °C
Panel cut-out	Ø 22.3 mm
Mounting depth	12 mm
Lens colour	Red
Enclosure colour	Yellow
Weight	17.11 g
Contact material	AgNi
Storage temperature	-40 °C ... 80 °C
Standards	EN 60947-5-1 EN 60947-5-5 EN ISO 13850
Degree of protection front	IP65 IP67

→ Electrical data

<i>Conditional short circuit current</i>	1000 A
<i>Rated operating voltage IEC/EN 60947-5-1</i>	240 V AC 120 V AC 250 V DC 125 V DC 60 V DC 24 V DC
<i>Rated operating current IEC/EN 60947-5-1</i>	1.5 A AC 3 A AC 0.27 A DC 0.55 A DC 1 A DC 2 A DC
<i>Rated insulation voltage IEC/EN 60947-5-1</i>	250 V AC/DC
<i>Rated impulse withstand voltage</i>	2.5 kV
<i>Contact resistance</i>	< 50 mΩ NC new state
<i>Electrical lifetime</i>	50,000 switching cycles at rated voltage
<i>Enclosure type information acc. to UL</i>	Type 4X (Indoor) front face
<i>Utilisation category IEC/EN 60947-5-1</i>	AC-15 B300 DC-13 Q300
<i>Contact type</i>	2NC
<i>Short circuit protection SCPD</i>	6 A Char. D
<i>Lamp rating</i>	30 V / 4 mA AC/DC at 24 V
<i>Illuminant power</i>	max. 4 mA DC 24 V
<i>Illuminant</i>	LED integrated
<i>Illuminant connection</i>	X1...anode, X2...cathode
<i>Operating voltage illuminant</i>	max. 30 V AC/DC
<i>Illuminant colour</i>	White
<i>Bouncing time</i>	< 10 ms NC

Rating information acc. to UL	B300 24 V / 3 A DC Contact block
Switching capacity	240 V AC/DC 1.5 A
Breaking capacity IEC/EN 60947-5-1	10 Ie AC 1.1 Ie DC
Thermal continuous current IEC/EN 60947-5-1	5 A AC
Overvoltage category	II
Pollution degree	2

Note on the contact element drilling pattern



View of the component side of the PCB

→ Mechanical data

Connection	PCB-mount terminals
Tightening torque fixing nut	1.3 Nm ... 1.9 Nm
Mounting position	Any
Mounting plate thickness	1 mm ... 4.5 mm

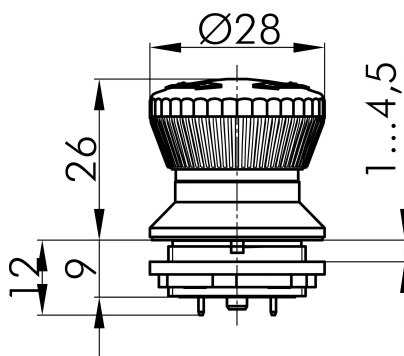
<i>Release</i>	Twist to release left/right
<i>Mechanical lifetime</i>	50,000 switching cycles
<i>Switching position indicator</i>	Yes
<i>Foolproof</i>	Yes
<i>Positive opening</i>	Acc. to EN60947-5-1, appendix K

Safety instructions / mounting instructions

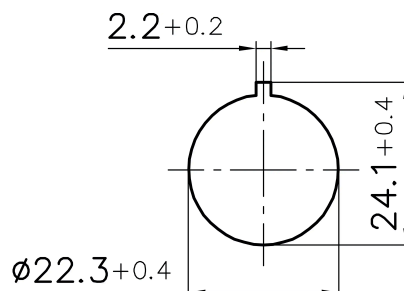
- The contact maker is inserted into the actuator neck
- Distance bushings ensure the correct distance between the printed circuit board and mounting plate
- The screw connections must be secured against loosening

Technical drawings

→ Dimensional drawing



→ Cutout dimensions



→ Circuit diagram

