

# Datasheet

→ **YMTW** 

11/11/2025



## Technical data

Pushbutton, transparent lens

Type	YMTW
Series	mYnitron®
Rubric	Pushbutton
Approvals	CE, cURus, UKCA



## → General data

Design	Round
Labelling option	Yes
Operating temperature	-25 °C ... 70 °C
Panel cut-out	Ø 16.2 mm
Mounting depth	18 mm
Lens colour	White
Front bezel colour	Silver-coloured
Contact material	Stainless steel 1.4310 gold-plated Snap dome CuZn37 gold-plated Counter contact
Storage temperature	-40 °C ... 80 °C
Standards	IEC/EN 60947-5-1
Grid spacing	25 x 25 mm
Degree of protection front	IP65 IP67

**Note**

- Labeling possible on request

**→ Electrical data**

<i>Rated operating voltage IEC/EN 60947-5-1</i>	35 V AC 35 V DC
<i>Rated operating current IEC/EN 60947-5-1</i>	0.1 A AC 0.1 A DC
<i>Rated insulation voltage IEC/EN 60947-5-1</i>	42 V AC 42 V DC
<i>Contact resistance</i>	< 100 mΩ NO new state
<i>Electrical lifetime</i>	500,000 switching cycles at rated voltage
<i>Enclosure type information acc. to UL</i>	Type 1
<i>Utilisation category IEC/EN 60947-5-1</i>	AC12 DC12
<i>Contact type</i>	1NO
<i>Bouncing time</i>	< 5 ms NO
<i>Rating information acc. to UL</i>	max. 30 V AC 42.4 V Peak 100 mA
<i>Rating information acc. to UL</i>	max. 30 V AC 42.4 V Peak 100 mA
<i>Switching capacity</i>	35 V 100 mA AC/DC
<i>Breaking capacity IEC/EN 60947-5-1</i>	1 W AC Ohmsche Last 1 W DC Ohmsche Last
<i>Minimum voltage</i>	20 mV
<i>Current minimal</i>	10 µA
<i>Thermal continuous current IEC/EN 60947-5-1</i>	100 mA AC 100 mA DC

Overvoltage category II

Pollution degree 2

### Note

- Use partially insulated blade receptacles (see accessories)

## → Mechanical data

Connection Faston terminals connector 2,8 mm x 0,5 mm

Operating travel 1 mm

Tightening torque fixing nut max. 0.7 Nm

Mounting position Any

Mechanical lifetime 500,000 switching cycles

Switching function Momentary function

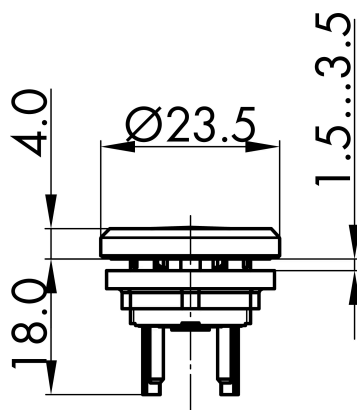
Tactile Yes

### Note

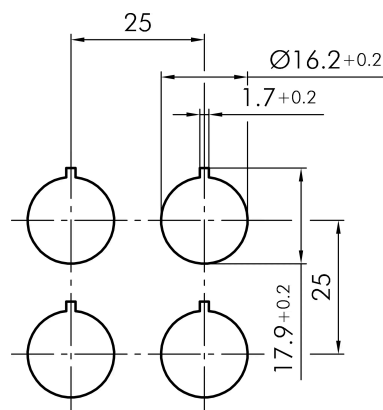
- The blade terminals are not suitable for manual soldering!

## Technical drawings

### → Dimensional drawing



### → Cutout dimensions



### → Circuit diagram

